

ecoHITCH -Designed Specifically For Your **Green Vehicle**

Installation Instructions

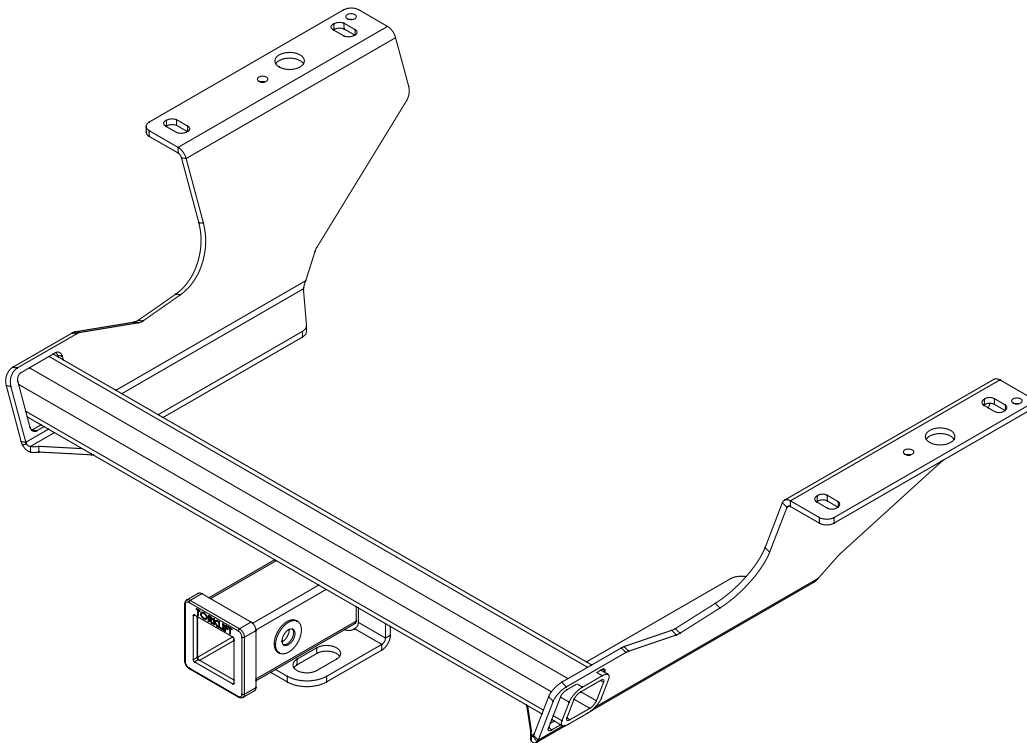
Application Fits

2009-2013 Subaru Forester

X7164 & X7169

350 lbs Tongue Weight/3,500 lbs Weight Carrying

2" & 1.25" EcoHitch Stealth



Torklift Central
315 Central Ave N
Kent, WA 98032
253-854-1832
www.torkliftcentral.com
support@tlcentral.com

Stay Connected



torkliftcentral



torkliftcentral



tlcentral



torklift central



torklift central



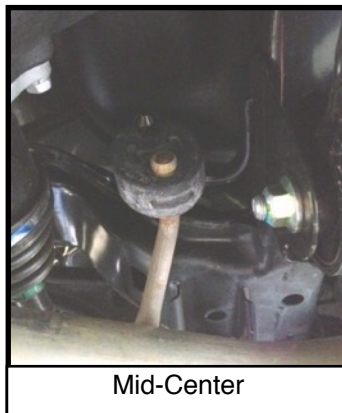
Bolt Kit Weight: 425g +/-

Hardware Included

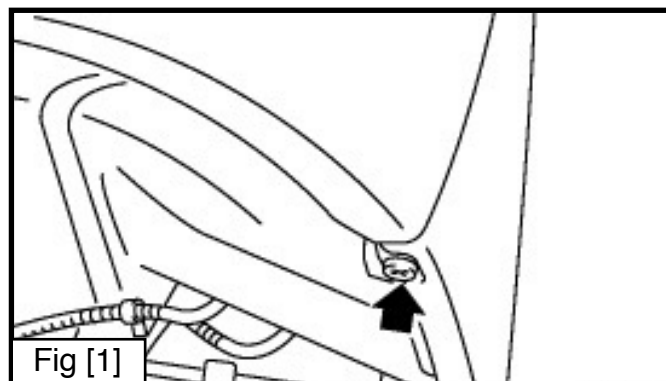
QTY	Fastener	QTY	Fastener
6	7/16" Flat Washer	4	1/2" Flat Washer
2	7/16" Lock Washer	2	1/2" Lock Washer
2	7/16" Inner Tooth Lock Washer	2	1/2" Inner Tooth Lock Washer
2	7/16"-14 Hex Nut Gr. 8	2	1/2"-13 Hex Nut Gr. 5
2	7/16"-14 x 2" Hex Cap Screw Gr. 8	2	1/2"-13x2" Hex Cap Screw Gr. 5
1	7/16" Bolt Fisher	4	1/2"Dx1"x2" Plate Washer
		1	1/2" Bolt Fisher

READ THESE INSTRUCTIONS THOROUGHLY AND ACCOUNT FOR ALL HARDWARE LISTED BEFORE BEGINNING INSTALLATION!

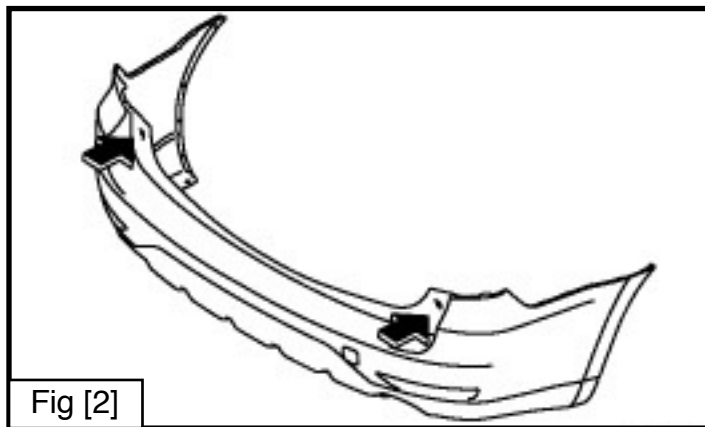
Step 1. Lower the (5) exhaust hangers using a lubricant such as WD-40. Do not let the exhaust hang freely. Support with a stand, wood block, or other support.



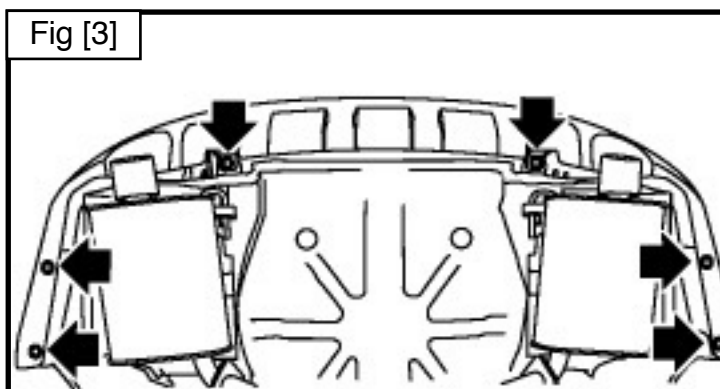
Step 2. Remove the clips inside the wheel housing. See Figure [1].



Step 3. Remove the fastener from each side of the bumper skin. See Figure [2]

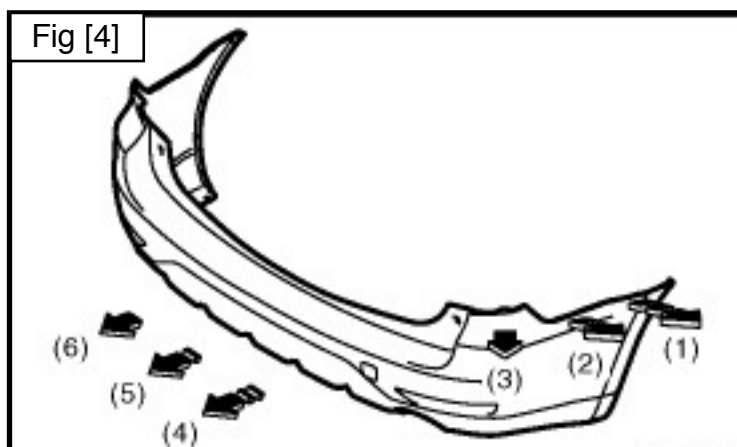


Step 4. Remove the fastener from each side of the bumper skin. See Figure [3]



Step 5. Remove the rear bumper skin from the vehicle body by unsnapping the bumper away from the vehicle starting at position (1) and work your way toward position (6). After you have reached the center, move to the driver side and repeat process. See Figure [4].

NOTE: It may be helpful to have an assistant during this step to avoid dropping the bumper.



Step 6. Remove the nuts securing the impact bar to the vehicle. After all nuts are removed, raise the whole impact bar a little to remove it from the vehicle body.

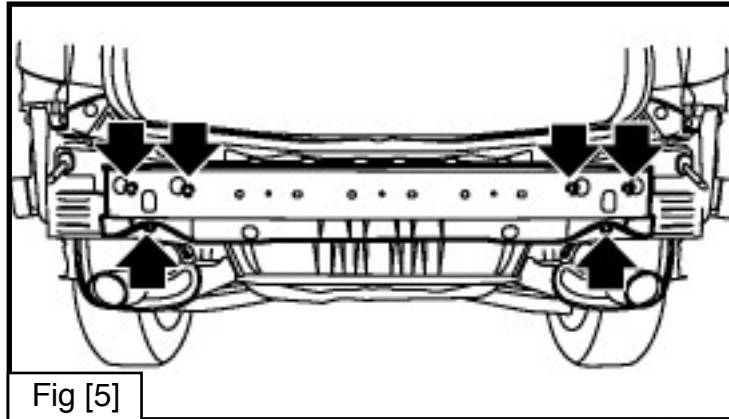


Fig [5]

Step 7. On the underside of the vehicle, remove the rubber plugs from the pre-existing holes in the driver and passenger side frame rails. See Figure [6].

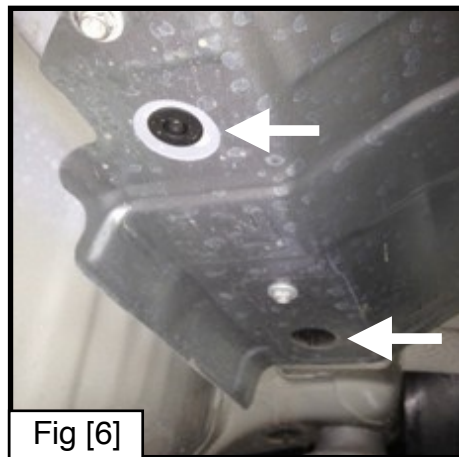


Fig [6]

Step 8. Feed the 1/2" bolt fisher coil through Hole A (forward most hole) in the driver side frame rail and out the opening at the rear of the vehicle. Attach (1) 1/2"-13x2" bolt, (1) 1/2" inner tooth lock washer, and (1) 1/2"D-1"x2" plate washer to the coil and pull into position in Hole A. Repeat process on the passenger side. Feed the 7/16" bolt fisher coil through Hole B (rear most hole) and attach (1) 7/16"-14x2" bolt, (1) 7/16" inner tooth lock washer, (1) 7/16" flat washer, and (1) 1/2"D-1"x2" plate washer to the coil and pull into position in Hole B. Repeat on opposite side. See Figure [7].

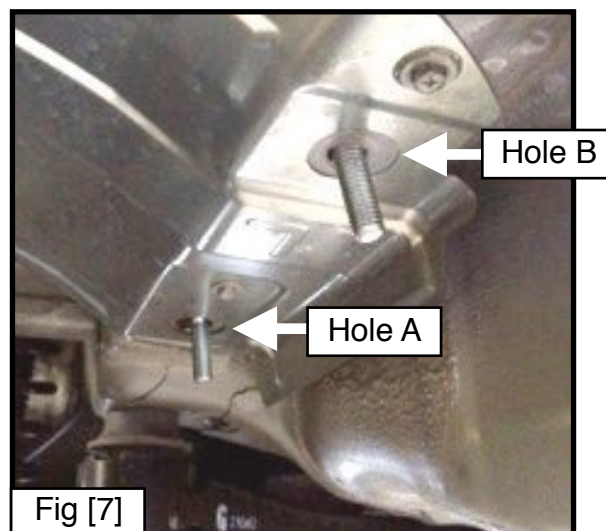


Fig [7]

Step 9. Raise the hitch into position on the fished bolt hardware being careful not to push the hardware back into the frame rail. Attach (2) 1/2" flat washers, (1) 1/2" lock washer, and (1) 1/2"-13 hex nut to the 1/2" hardware and hand tighten. Attach (2) 7/16" flat washers, (1) 7/16" lock washer, and (1) 7/16"-14 hex nut to the 7/16" hardware and hand tighten. See Figure [8].



Fig [8]

Step 10. Torque the 1/2" hardware to 70ft-lbs and the 7/16" hardware to 65ft-lbs. Reinstall the impact bar and bumper by following these steps in reverse starting at Step 6. Torque the impact bar nuts to 33ft-lbs. Using an air saw, dremmel, or utility knife, trim the bumper tabs shown in Figure [9] or tuck upwards out of the way. See Figure [9].



Fig [9]

Congratulations on the completed installation of the Subaru Forester Stealth EcoHitch! It is designed with a lifetime warranty for a lifetime of enjoyment. If you have any questions or suggestions please contact our tech support at support@tlcentral.com or by phone at (253) 854-1832.

WARRANTY/DISCLAIMER INFORMATION

Torklift Central requires proof of purchase for warranty claim registration, with pictures of any defective product before issuing a replacement. Torklift will not accept claims on any product without proof of purchase, which can be faxed, scanned, emailed or mailed to the information provided below. Torklift Central warrants its hitches, custom hitch receivers and accessories (excluding electrical wire harnesses which carry a warranty from their specified manufacturer) from date of purchase against defects in material and workmanship under normal use and service for the ownership life of the original consumer purchaser. Torklift Central will replace free of charge any part that proves defective in material or workmanship when presented to Torklift Central, transportation charges prepaid by purchaser, at the address below. **This warranty is limited to defective parts replacement only. Labor charges and/or damage incurred in installation or replacement, as well as incidental and consequential damages connected therewith are excluded.** This warranty does not include normal wear and tear or the finish and paint. Rusting, cracking or peeling of the finish is also excluded. Some states do not allow the exclusion or limitation of incidental or consequential damages, so the above limitation or exclusion may not apply to you. Any damage to Torklift Central products as a result of misuse, abuse, neglect, accident, improper installation or any use violative of instructions furnished by Torklift Central will void the warranty. This warranty gives you specific legal rights and you may also have rights, which vary from state to state. With warranty service, you may be able to go to a small claims court, a state court or a federal district court.

Although Torklift Central trailer hitches are both tested and rated for towing within the specific capacity label found on each trailer hitch. Torklift Central assumes no liability for vehicle manufacturers warranty due to the use of a Torklift Central trailer hitch being used for towing behind any vehicle or using the trailer hitch in a manner that it was not designed for. Although this specific trailer hitch has a load rating, which includes trailer tongue weight, and a trailer weight carrying capacity, Torklift Central is not responsible for the voiding of any warranty on any vehicle due to factory towing limitations. All vehicle warranties are the sole property and responsibility of the owner of the vehicle that the Torklift Central trailer hitch is installed upon. Torklift Central does not endorse towing behind any vehicle if the vehicles manufacturer states that towing is not recommended. Check your vehicle's owner's manual for the proper tow rating of your vehicle.

ADDRESS: 315 Central Ave N. Kent, WA 98032

WARNING Your vehicle may have a lower tow rating than this trailer hitch. If your vehicle's tow rating is less than the rated towing capacity on your Torklift Central trailer hitch, your trailer hitch capacity is limited to your vehicle's factory rated towing capacity.

FOR EXAMPLE: the label on your Torklift Central trailer hitch states it's capacity is rated for 500 pounds tongue weight and 5,000 pounds towing weight. However your vehicle's factory rated towing capacity is limited to only 350 pounds tongue weight and 3,500 pounds towing weight. In this example your maximum towing capacity of your Torklift Central trailer hitch is limited to 350 pounds tongue weight and 3,500 pounds towing weight as stated by your vehicle's maximum factory tow rating.

DANGER Never exceed your vehicle's manufacturer's recommended towing capacity which may be a lower rating than this trailer hitch

Unsure of your tow rating? Download our towing app from the app store to find your vehicles tow rating.
www.torkliftcentral.com/app.php